

# DL12-55 GEN-3

**DL**



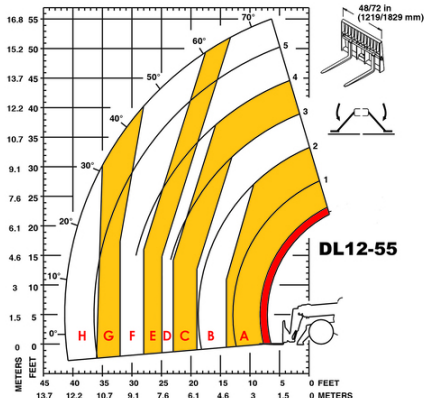
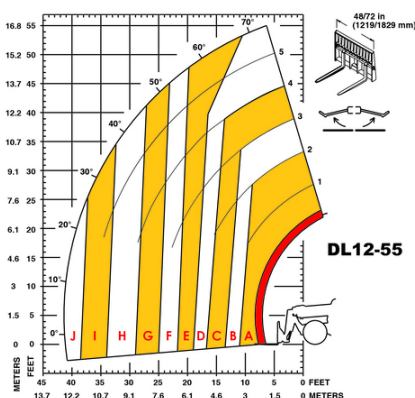
**GEHL®**

Capacities		Metric		Imperial	
Max. capacity		5443.10 kg		12000 lb	
Max. lifting height		16.89 m		55 ft 5 in	
Max. outreach		12.20 m		40 ft	
Weight and dimensions					
Length to face of forks	l2	6.40 m		21 ft	
Overall width	b1	2.50 m		8 ft 2 in	
Overall height	h17	2.60 m		8 ft 6 in	
Wheelbase	y	3.30 m		10 ft 10 in	
Ground clearance	m4	406 mm		16 in	
Overall cab width	b4	2.50 m		8 ft 2 in	
External turning radius	Wa3	0.88 m		2 ft 11 in	
Unladen weight		14443 kg		31841 lb	
Overall weight		14442 kg		31839 lb	
Standard tyres		14 x 24		14 x 24	
Frame levelling longitudinal +/-		10 °		10 °	
Frame levelling corrector	a9	10 °		10 °	
Engine					
Engine brand		Cummins		Cummins	
Engine norm		Tier 4 final		Tier 4 final	
Engine model		QSF 3.8 Tier IV		QSF 3.8 Tier IV	
I.C. Engine power rating - Power (kW)		120 Hp / 89 kW		120 Hp / 89 kW	
Engine rotation		2500 rpm		2500 rpm	
Transmission					
Transmission type		Powershift		Powershift	
Number of gears (forward / reverse)		4 / 4		4 / 4	
Max. travel speed		36.70 km/h		23 mi/h	
Parking brake		SAHR		SAHR	
Service brake		Wet disc brakes		Wet disc brakes	
Axle Manufacturer		Dana		Dana	
Hydraulics					
Hydraulic pump type		Gear pump		Gear pump	
Hydraulic flow / Pressure		162.80 l/min-207 bar		43 US gpm-3002 PSI	
Tank capacities					
Hydraulic oil		155 l		41 US gal	
Fuel tank		114 l		30 US gal	
Miscellaneous					
Steering wheels (front / rear)		2 / 2		2 / 2	
Drive wheels (front / rear)		2 / 2		2 / 2	
Safety cab homologation		ROPS/FOPS		ROPS/FOPS	
Controls		Single joystick with FNR		Single joystick with FNR	

### DL12-55 GEN:3 - Load chart

Machine on tyres with forks Imperial

Machine on lowered stabilisers with forks Imperial





# GEHL®

Siège Social  
P.O. Box 179 - One Gehl Way - West Bend, WI, USA 53095  
Tel: (262) 334-9461 - Fax: (262) 338-7517  
[www.gehl.com](http://www.gehl.com)



This brochure describes versions and configuration options for Gehl products which may be fitted with different equipment. The equipment described in this brochure may be standard, optional or not available depending on version. Gehl reserves the right to change the specifications shown and described at any time and without prior warning. The manufacturer is not liable for the specifications given. For more information, contact your Gehl dealer. Non-contractual document. Product descriptions may differ from actual products. List of specifications is not comprehensive. The logos and visual identity of the company are the property of Gehl and may not be used without authorization. All rights reserved. The photos and diagrams contained in this brochure are provided for information only.

MANITOU EQUIPMENT AMERICAS, LLC - Limited company with board of directors - Share capital: 39,668,399 euros - 857 802 508 RCS West Bend